

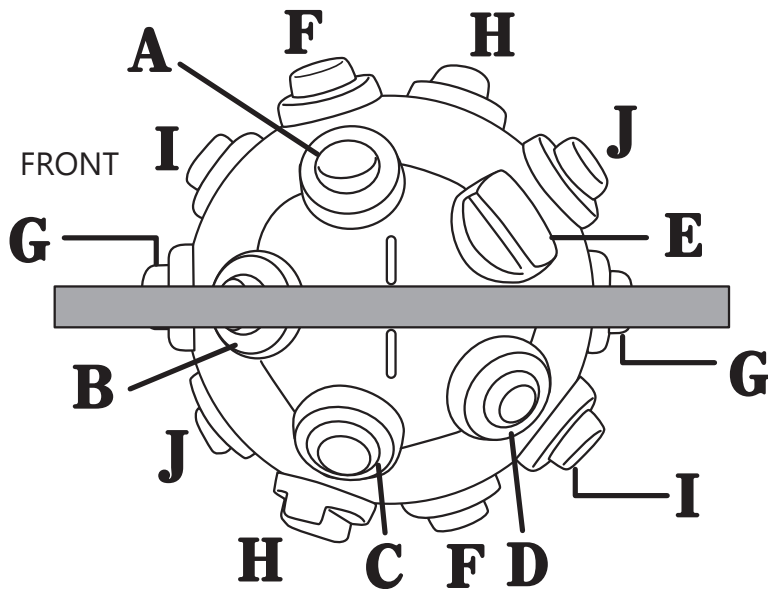
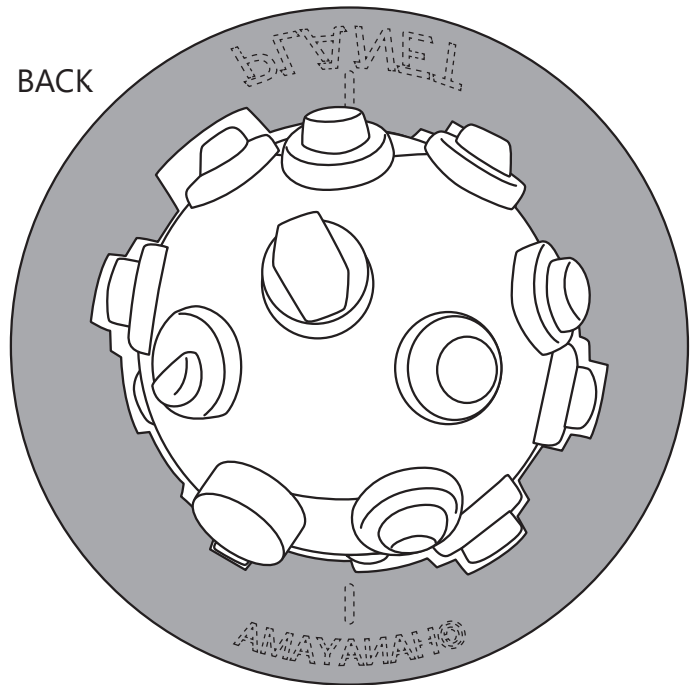
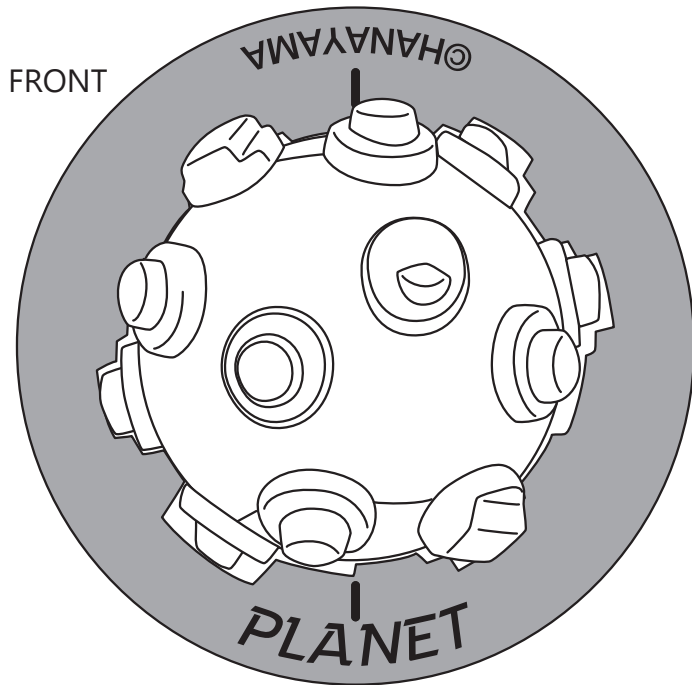
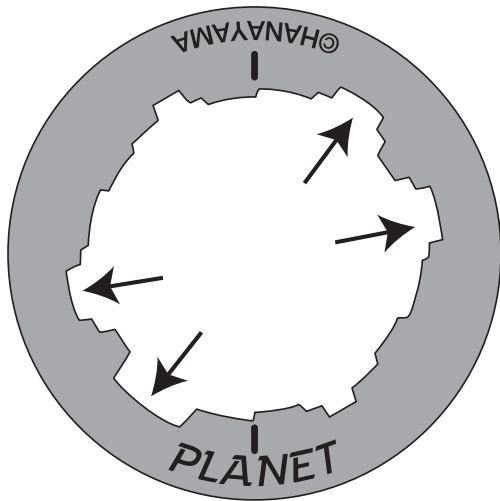


This is the Starting Position.

The  marks on the front and back side of the sphere are in the same position as the  marks on the ring.

Each protrusion is marked with an alphabet. The protrusions of the same shape located on the opposite side of the sphere are marked with the same alphabet.



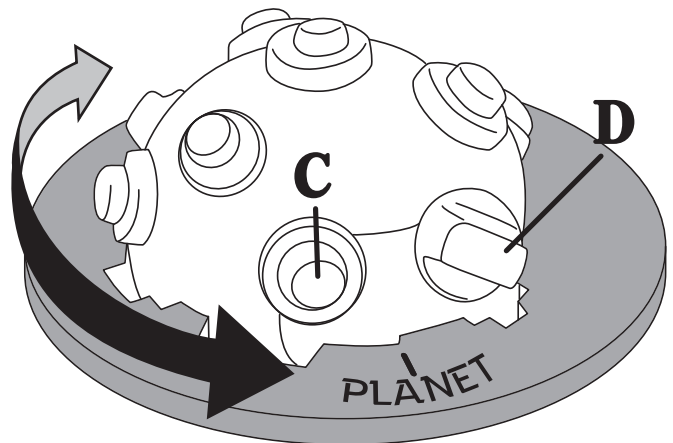
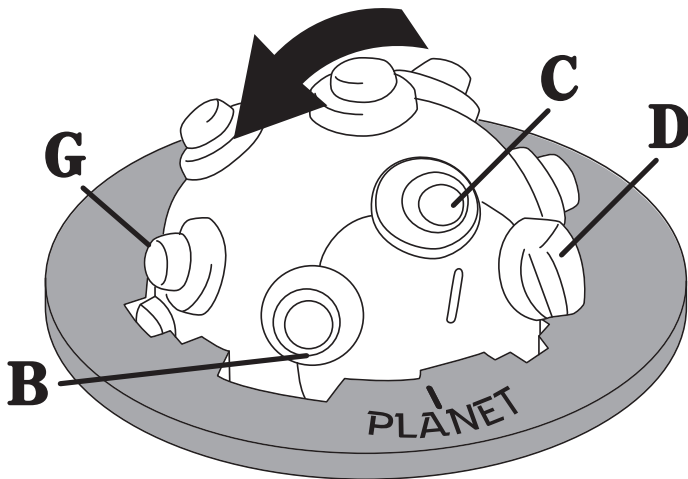


The protrusions of the sphere move through the two parts of the ring. At this time, the protrusion is targeted to the opposite side too. For example, if you pass A and B on one side, A and B on the opposite side will also pass at the same time.

* The position changes from the front side to the back side and from the back side to the front side.

When moving from the initial position, G and B pass through the ring.

Rotate the sphere and then pass the C and D in the same way.



As the way shown above, pass the combination of protrusions through the ring along the route below.

