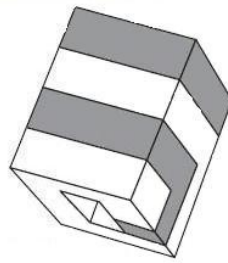
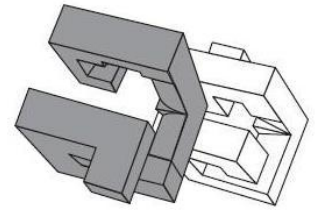
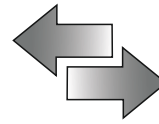


はずる TM HUZZLE [®]

Huzzle Cast Coil



Assembled

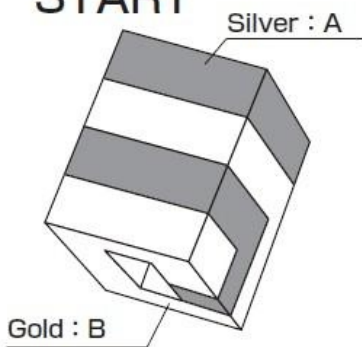


Disassembled

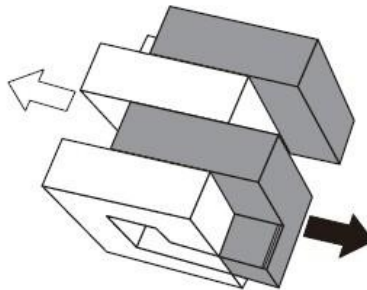
■ Silver : A □ Gold : B

*Slide only the "A" and keep the "B" in this solution

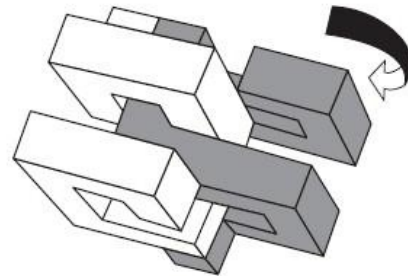
START



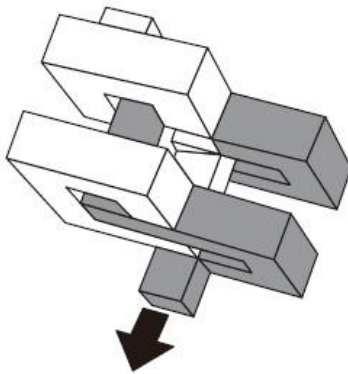
1 Slide the "A" and "B" as shown in the diagram below



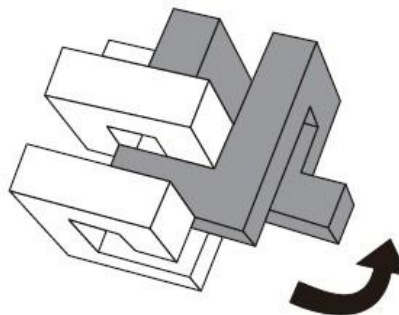
2 Rotate "A" 90° to the right



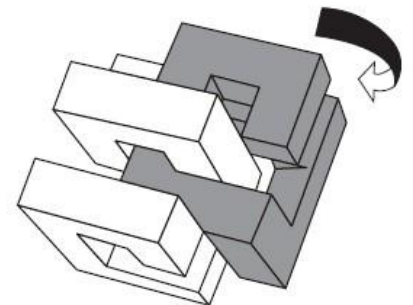
3 Slide "A" to downwards



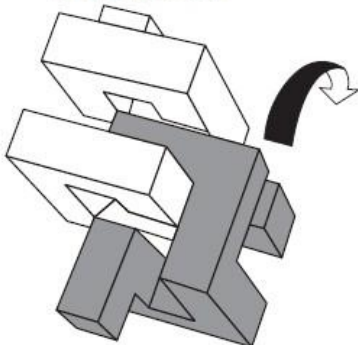
4 Rotate "A" 90° to upwards



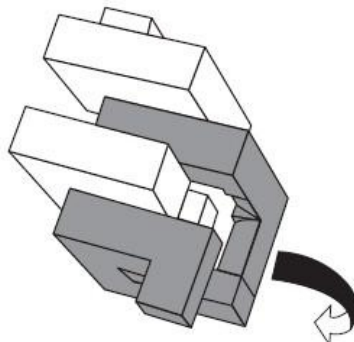
5 Rotate "A" 90° to right



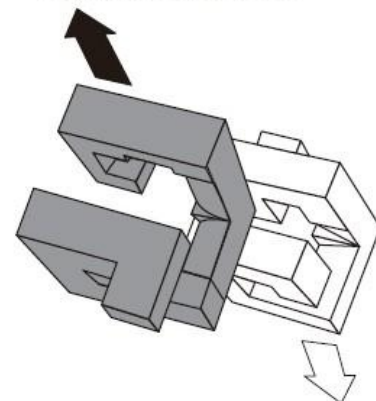
6 Rotate "A" 90 to downwards



7 Rotate "A" 90° to right



8 Slide "A" to upwards to separate the pieces



Designer: Edi Nagata (JP)

© 2011, 2018 Hanayama Co., Ltd.
All Rights Reserved



Exclusive European distribution
by Eureka bvba - 2800 Mechelen, Belgium