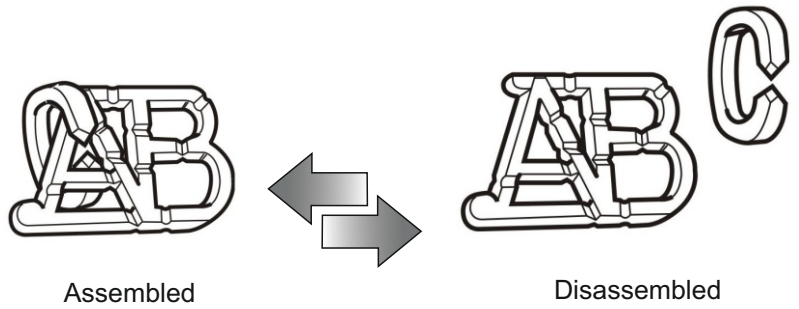
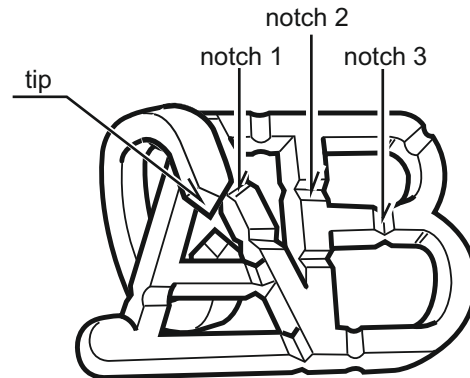


はずるTM H U Z Z L E[®]

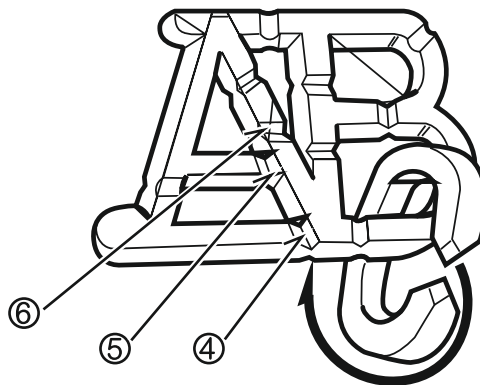
Huzzle Cast ABC



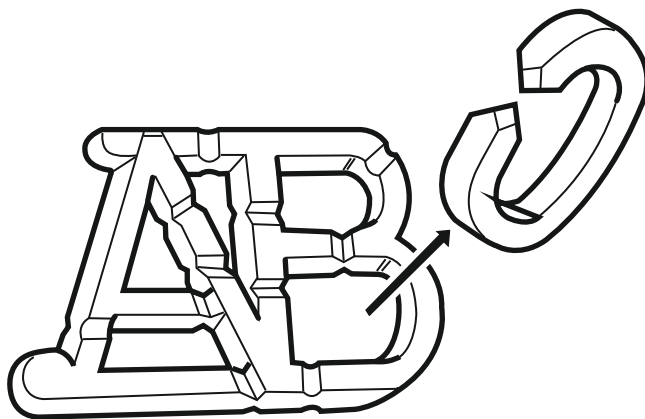
- ① Pass the tip of piece C through the notches 1, 2 and 3



- ② Piece C is now in the big hole of the B!
Turn over piece C for 180 degrees and continue passing the tip of piece C through the notches 4, 5, 6, 2 and 3



- ③ Piece C is now in the big hole of the B again and can be taken out easily!



Designer: unknown

© 2019 Hanayama Co., Ltd.
All Rights Reserved



Exclusive European distribution
by Eureka bvba - 2800 Mechelen, Belgium